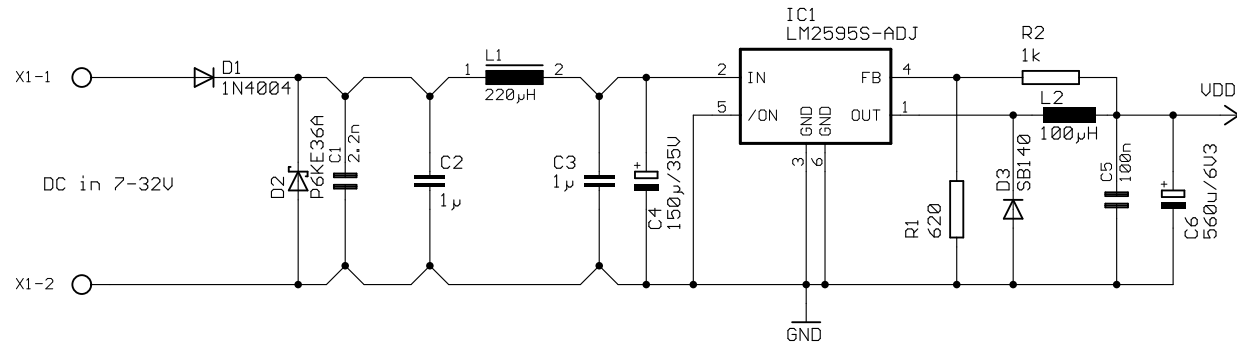


Power Supply



| | |
|---------------------------|------------|
| recommended power supply | |
| TITLE: AN008 | |
| Document Number: | REV: |
| Date: 17.06.2004 10:13:50 | Sheet: 1/1 |